



# CoreLine Downlight

## DN130B LED10S/830 PSU PI6 WH

CoreLine Downlight WH - LED Module, system flux 1000 lm - 830 warm white - Power supply unit - Finger-protected - White

The CoreLine Downlight range of recessed luminaires is designed to replace CFL-ni/CFL-i based downlight luminaires. Their attractive TCO helps customers to make the switch to LED. These luminaires create a natural lighting effect for use in general lighting applications. They also deliver instant energy savings and have a much longer lifetime, creating a real value-for-money and environmentally friendly solution. They are easy to install thanks to their standard cut-out size and push-in connectors.

### Product data

General Information		Operating and Electrical	
Number of light sources	1 pc	Glow-wire test	Temperature 850 °C, duration 5 s
Lamp family code	LED10S [ LED Module, system flux 1000 lm]	Flammability mark	For mounting on normally flammable surfaces
Beam angle of light source	120 °	CE mark	CE mark
Light source color	830 warm white	ENEC mark	-
Light source replaceable	No	Warranty period	3 years
Number of gear units	1 unit	Constant light output	No
Driver/power unit/transformer	Power supply unit	Number of products on MCB of 16 A type B	30
Driver included	Yes	RoHS mark	RoHS mark
Optic type	Wide beam	Product family code	DN130B [ CoreLine Downlight WH]
Optical cover/lens type	Acrylic bowl/cover frosted	<b>Operating and Electrical</b>	
Luminaire light beam spread	90°	Input Voltage	220 to 240 V
Connection	Push-in connector 6-pole	Input Frequency	50 to 60 Hz
Cable	-	Inrush current	16 A
Protection class IEC	Safety class I	Inrush time	0.5 ms
Color	White		

# CoreLine Downlight

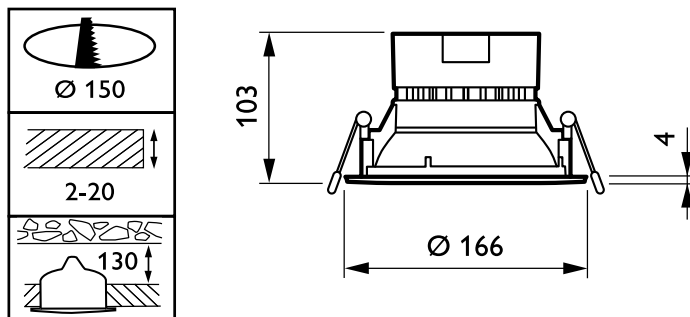
Power Factor (Min)	0.9
<b>Controls and Dimming</b>	
Dimmable	No
<b>Mechanical and Housing</b>	
Housing Material	Polycarbonate
Reflector material	Polycarbonate
Optic material	Aluminum
Optical cover/lens material	Polycarbonate
Fixation material	Steel
Optical cover/lens finish	Frosted
Overall height	99 mm
Overall diameter	166 mm
<b>Approval and Application</b>	
Ingress protection code	IP20 [ Finger-protected]
Mech. impact protection code	IK02 [ 0.2 J standard]
<b>Initial Performance (IEC Compliant)</b>	
Initial luminous flux	1100 lm
Luminous flux tolerance	+/-10%
Initial LED luminaire efficacy	100 lm/W
Init. Corr. Color Temperature	3000 K
Init. Color Rendering Index	80
Initial chromaticity	(0.43, 0.40) SDCM <5
Initial input power	11 W

Power consumption tolerance	+/-10%
<b>Over Time Performance (IEC Compliant)</b>	
Driver failure rate at 5000 h	1.5 %
Median useful life L70B50	50000 h
Median useful life L80B50	30000 h
Median useful life L90B50	15000 h
<b>Application Conditions</b>	
Ambient temperature range	-10 to +40 °C
Average ambient temperature	25 °C
Suitable for random switching	Yes (relates to presence/ movement detection and daylight harvesting)

<b>Product Data</b>	
Full product code	871869685222400
Order product name	DN130B LED10S/830 PSU P16 WH
EAN/UPC - Product	8718696852224
Order code	910500457699
Numerator - Quantity Per Pack	1
Numerator - Packs per outer box	1
Material Nr. (12NC)	910500457699
Net Weight (Piece)	0.400 kg

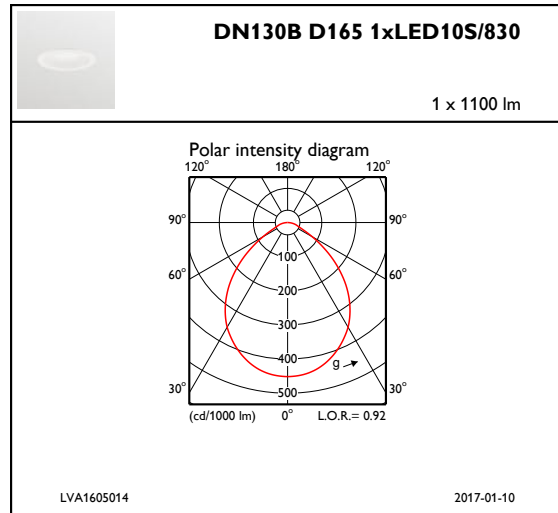
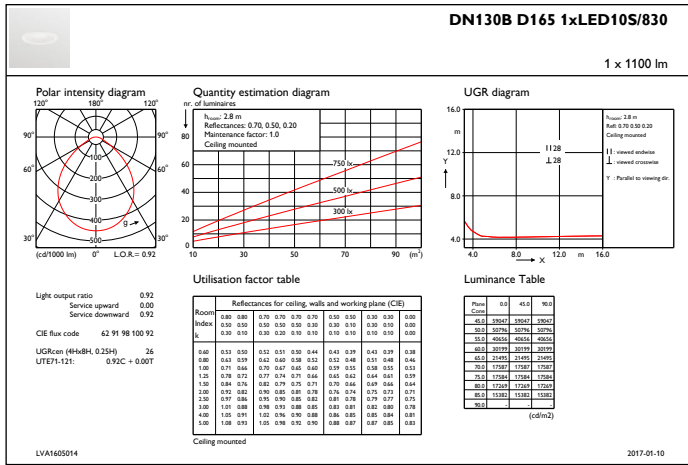


## Dimensional drawing



CoreLine Downlight DN130B/DN131B

Photometric data



IFGU1\_DN130BD1651xLED10S830

IFPC1\_DN130BD1651xLED10S830

